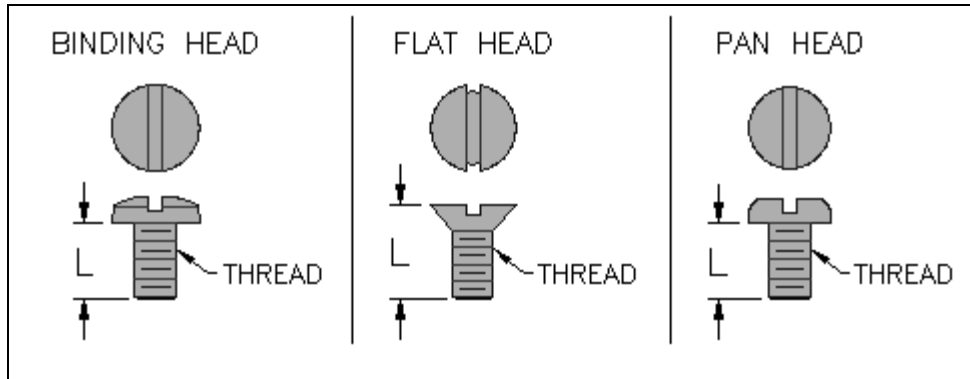


2-56 Thread Slotted Drive Machine Screws

Three head Styles and One Material Type

2-56 Thread, Slotted Drive



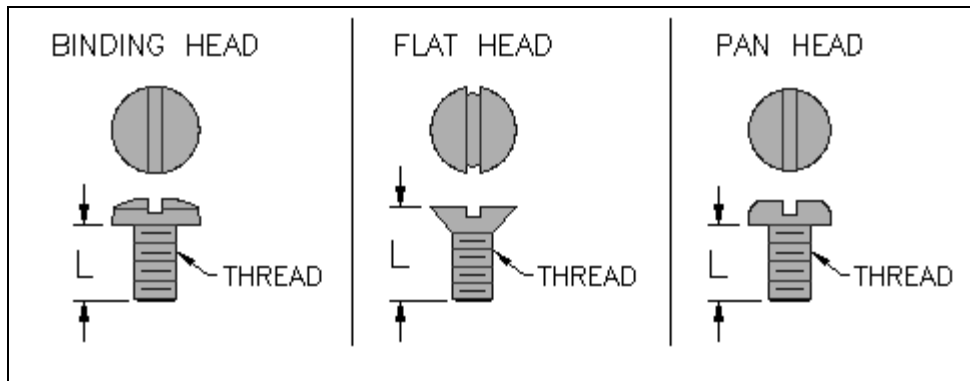
Binding Head		Flat Head		Pan Head		Length
Steel Cat. No.	Nylon Cat. No.	Steel Cat. No.	Nylon Cat. No.	Steel Cat. No.	Nylon Cat. No.	
9455	—	9555	—	9355	—	.250 [6.35]
9456	—	9556	—	9356	—	.500 [12.70]
9457	—	9557	—	9357	—	.750 [19.05]

Material: Steel, Zinc Plate

[Click to Request Samples](#)

[VIEW PRODUCT OVERVIEW](#)

4-40 Thread, Slotted Drive



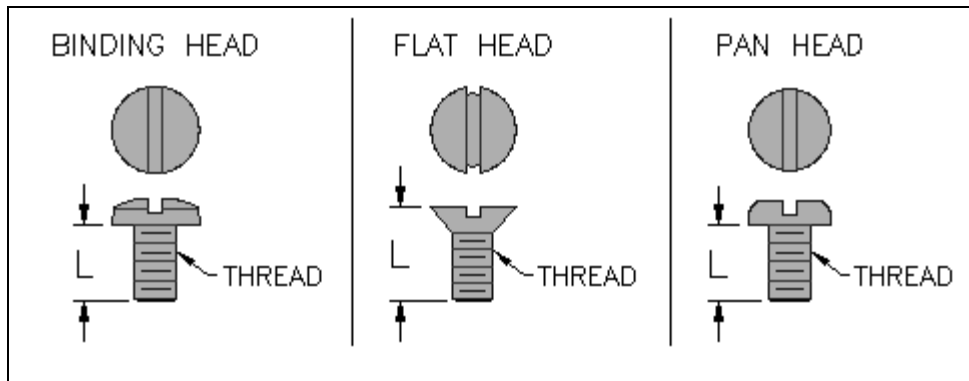
Binding Head		Flat Head		Pan Head		Length
Steel Cat. No.	Nylon Cat. No.	Steel Cat. No.	Nylon Cat. No.	Steel Cat. No.	Nylon Cat. No.	
9400	9427	9500	9527	9300	9327	.250 [6.35]
9401	9428	9501	9528	9301	9328	.375 [9.53]
9402	9429	9502	9529	9302	9329	.500 [12.70]
9403	9430	9503	9530	9303	9330	.625 [15.88]
9404	9431	9504	9531	9304	9331	.750 [19.05]
9405	9432	9505	9532	9305	9332	1.000 [25.40]

Material: Steel, Zinc Plate or Nylon

[Click to Request Samples](#)

[VIEW PRODUCT OVERVIEW](#)

6-32 Thread, Slotted Drive



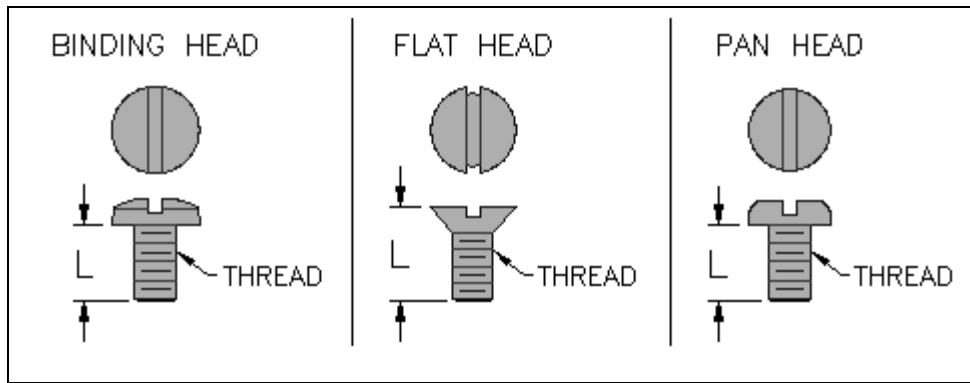
Binding Head		Flat Head		Pan Head		Length
Steel Cat. No.	Nylon Cat. No.	Steel Cat. No.	Nylon Cat. No.	Steel Cat. No.	Nylon Cat. No.	
9406	9433	9506	9533	9306	9333	.187 [4.75]
9407	9434	9507	9534	9307	9334	.250 [6.35]
9408	9435	9508	9535	9308	9335	.375 [9.53]
9409	9436	9509	9536	9309	9336	.500 [12.70]
9410	9437	9510	9537	9310	9337	.625 [15.88]
9411	9438	9511	9538	9311	9338	.750 [19.05]
9412	9439	9512	9539	9312	9339	1.000 [25.40]
9413	9440	9513	9540	9313	9340	1.250 [31.75]
9414	9441	9514	9541	9314	9341	2.000 [50.80]

Material: Steel, Zinc Plate or Nylon

[Click to Request Samples](#)

[VIEW PRODUCT OVERVIEW](#)

8-32 Thread, Slotted Drive



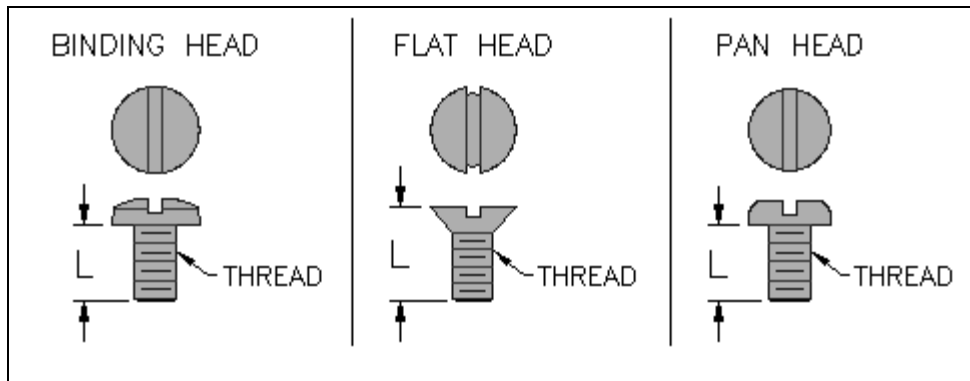
Binding Head		Flat Head		Pan Head		Length
Steel Cat. No.	Nylon Cat. No.	Steel Cat. No.	Nylon Cat. No.	Steel Cat. No.	Nylon Cat. No.	
9416	9443	9516	9543	9316	9343	.250 [6.35]
9417	9444	9517	9544	9317	9344	.375 [9.53]
9418	9445	9518	9545	9318	9345	.500 [12.70]
9419	9446	9519	9546	9319	9346	.625 [15.88]
9420	9447	9520	9547	9320	9347	.750 [19.05]
9421	9448	9521	9548	9321	9348	1.000 [25.40]
9422	9449	9522	9549	9322	9349	1.250 [31.75]

Material: Steel, Zinc Plate or Nylon

[Click to Request Samples](#)

[VIEW PRODUCT OVERVIEW](#)

10-32 Thread, Slotted Drive



Binding Head		Flat Head		Pan Head		Length
Steel Cat. No.	Nylon Cat. No.	Steel Cat. No.	Nylon Cat. No.	Steel Cat. No.	Nylon Cat. No.	
9423	9450	9523	9550	9323	9350	.500 [12.70]
9424	9451	9524	9551	9324	9351	.750 [19.05]
9425	9452	9525	9552	9325	9352	1.000 [25.40]
9426	9453	9526	9553	9326	9353	1.500 [38.10]
Material: Steel, Zinc Plate or Nylon						

[Click to Request Samples](#)

[VIEW PRODUCT OVERVIEW](#)